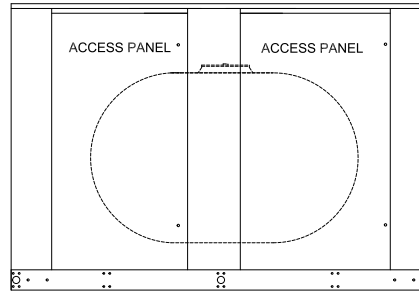
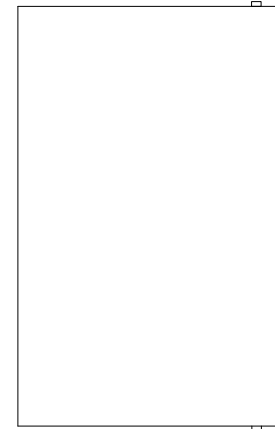


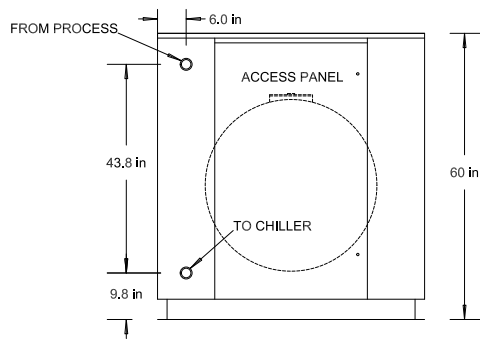
FRAME LAYOUT



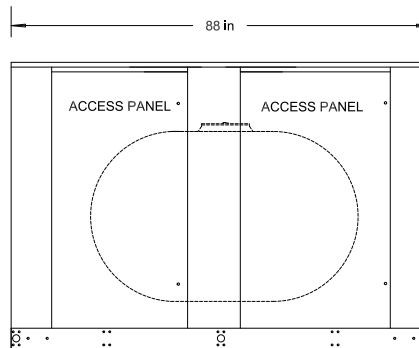
REAR VIEW



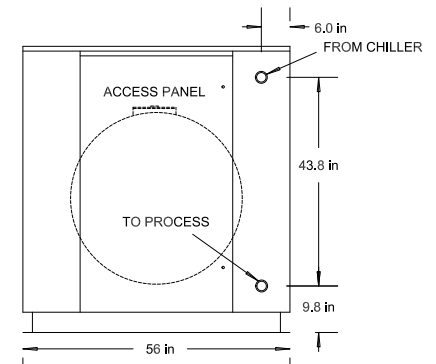
TOP VIEW



LEFT SIDE



FRONT VIEW



RIGHT SIDE

NOTES:

- 1) CONNECTION SIZE
200 GAL - 2" FPT
300 GAL - 2.5" FPT
- 2) WEIGHT
DRY - 975 Lbs.
OPERATING - 3225 Lbs.

200 - 300 GALLON TANK SECTION

DATE	7-25-2014
REV	1
DRAWN	JM
CHECKED	

DWG. NO.

CAB4001