

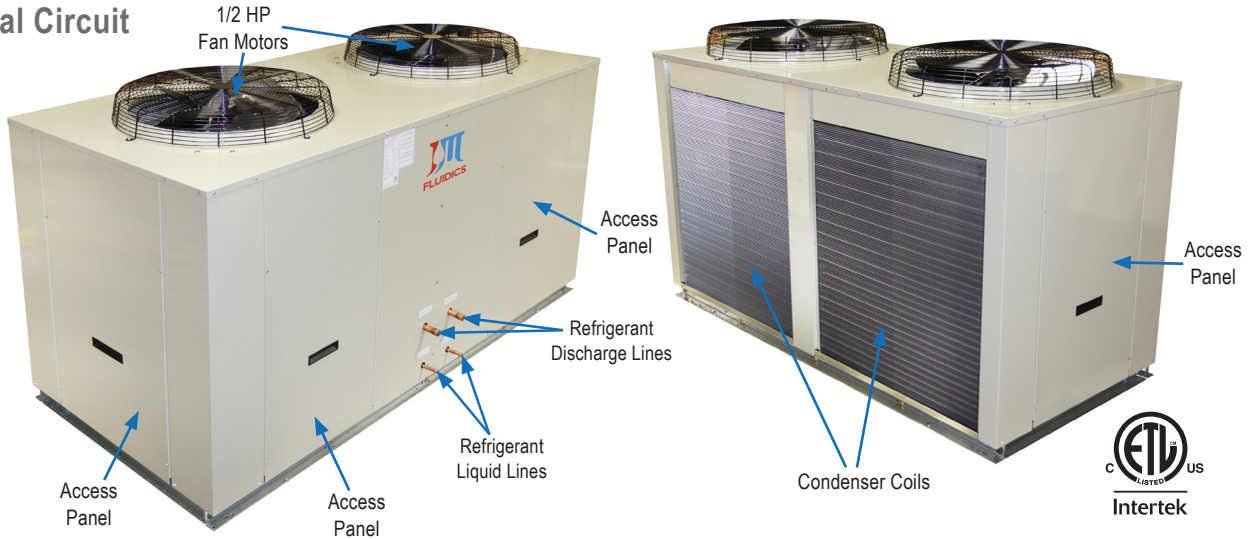
It's All about Building a Better Product for Our Clients!

J&M Fluidics, Inc.
 851 Tech Drive
 Telford, PA 18969
Toll-Free: (888) 539-1731
Fax: 267-203-8786

Model: OC7D, 9D, 9.5D, 10D

Split-System Outdoor Condensers

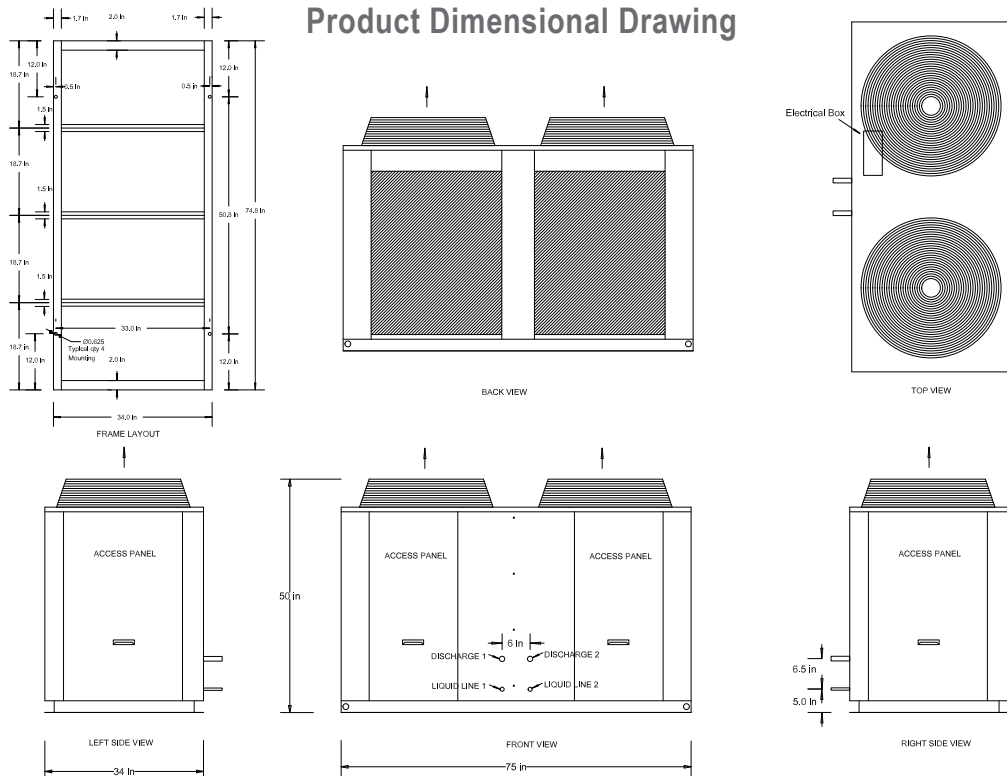
Dual Circuit



Outdoor Condenser Specs

Condenser Model	Length Inches	Width Inches	Height Inches	Fan Motor		Refrigerant Connections		Weight / lbs.
				Qty.	HP	Discharge	Liquid	
OC7D	75	34	47	2	1/2	5/8"	1/2"	515
OC9D	75	34	47	2	1/2	3/4"	1/2"	535
OC9.5D	75	34	47	2	1/2	3/4"	1/2"	655
OC10D	75	34	47	2	1/2	3/4"	1/2"	655

Product Dimensional Drawing



J&M FLUIDICS, INC. – PRODUCT DATA SHEET



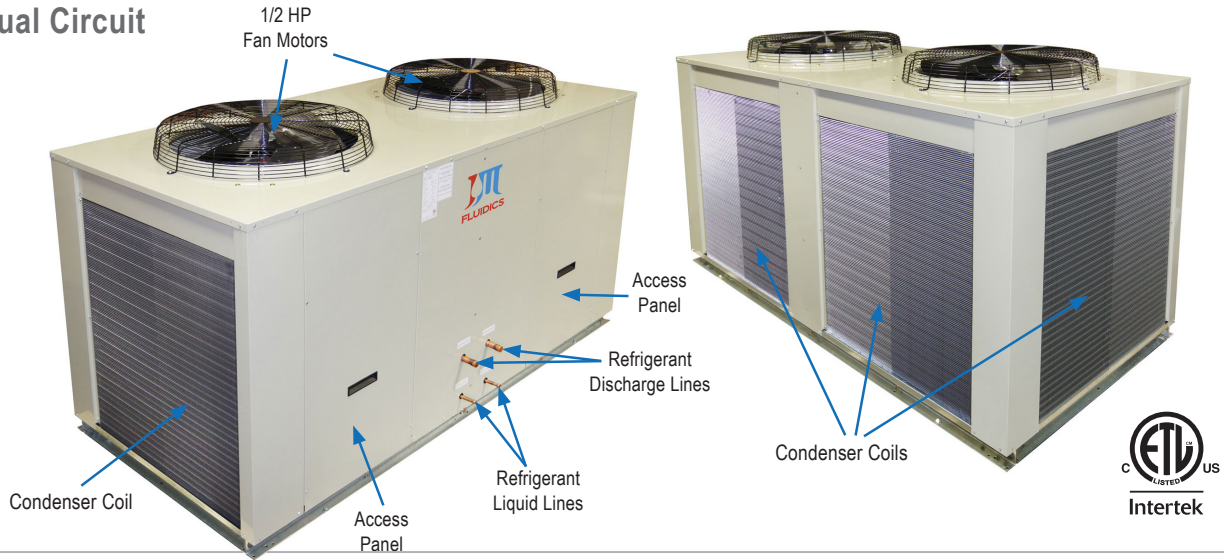
It's All about Building a Better Product for Our Clients!

J&M Fluidics, Inc.
 851 Tech Drive
 Telford, PA 18969
Toll-Free: (888) 539-1731
Fax: 267-203-8786

Model: OC13D, 15D, 18D

Split-System Outdoor Condensers

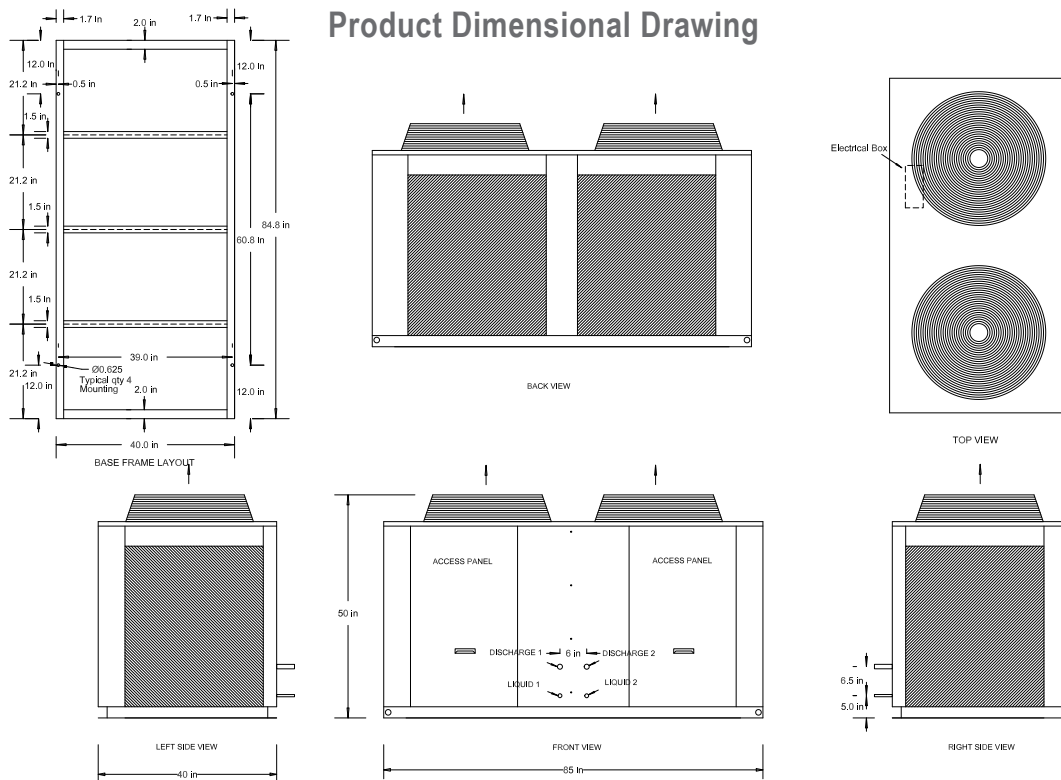
Dual Circuit



Outdoor Condenser Specs

Condenser Model	Length Inches	Width Inches	Height Inches	Fan Motor		Refrigerant Connections		Weight / lbs.
				Qty.	HP	Discharge	Liquid	
OC13D	85	40	50	2	1/2	7/8" (2)	1/2" (2)	745
OC15D	85	40	50	2	1/2	7/8" (2)	5/8" (2)	745
OC18D	85	40	50	2	1/2	7/8" (2)	5/8" (2)	745

Product Dimensional Drawing



J&M FLUIDICS, INC. – PRODUCT DATA SHEET



It's All about Building a Better Product for Our Clients!

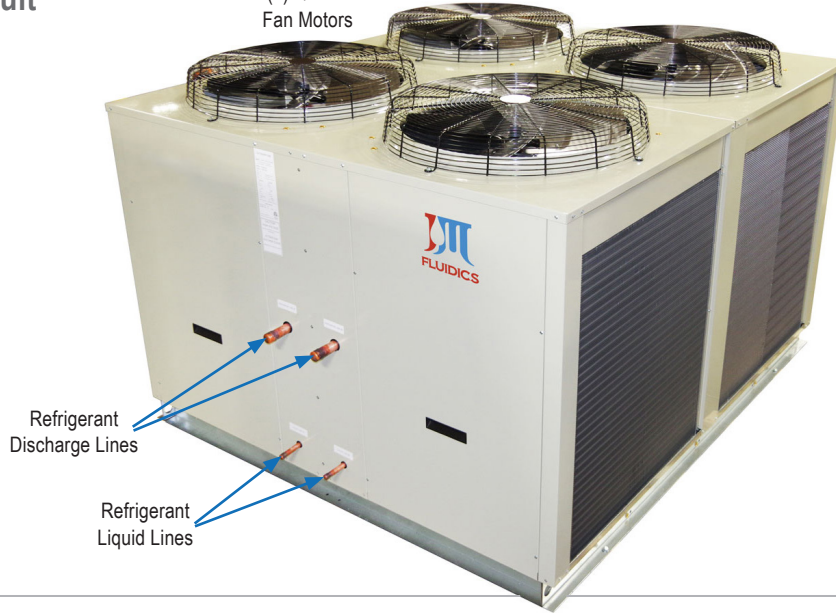
J&M Fluidics, Inc.
 851 Tech Drive
 Telford, PA 18969
 Toll-Free: (888) 539-1731
 Fax: 267-203-8786

Model: OC22D

Split-System Outdoor Condensers

Dual Circuit

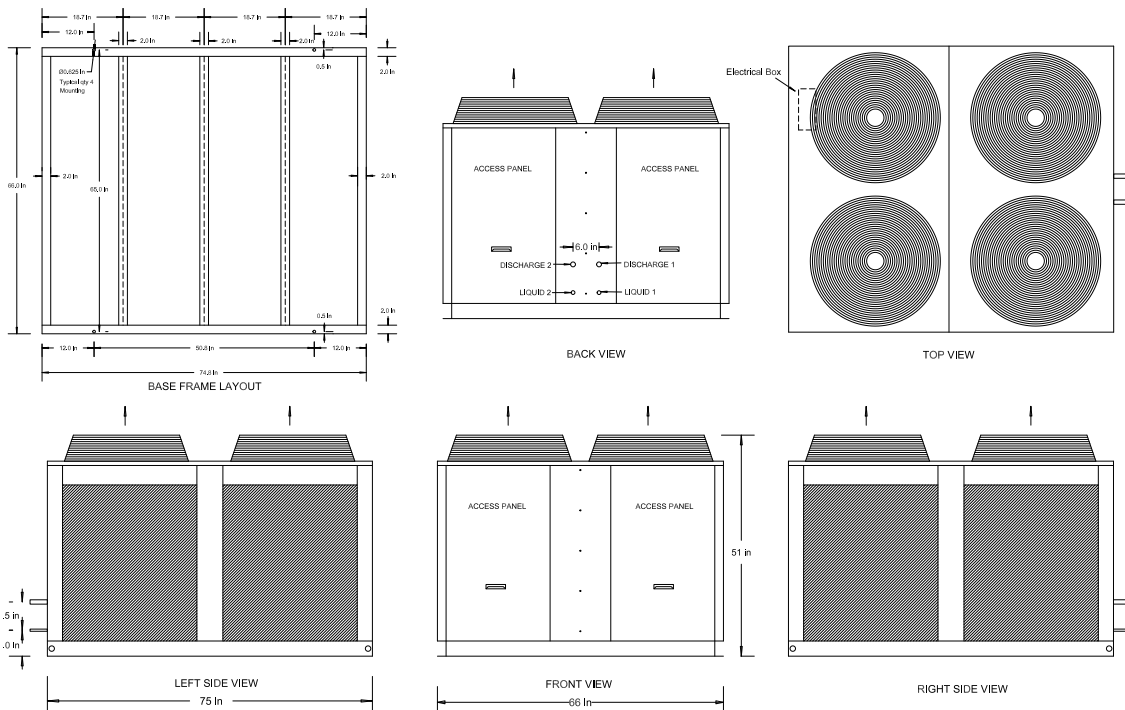
(4) 1/2 HP Fan Motors



Outdoor Condenser Specs

Condenser Model	Length Inches	Width Inches	Height Inches	Fan Motor		Refrigerant Connections		Weight / lbs.
				Qty.	HP	Discharge	Liquid	
OC22D	66	75	49	4	1/2	1 1/8" (2)	5/8" (2)	1025

Product Dimensional Drawing





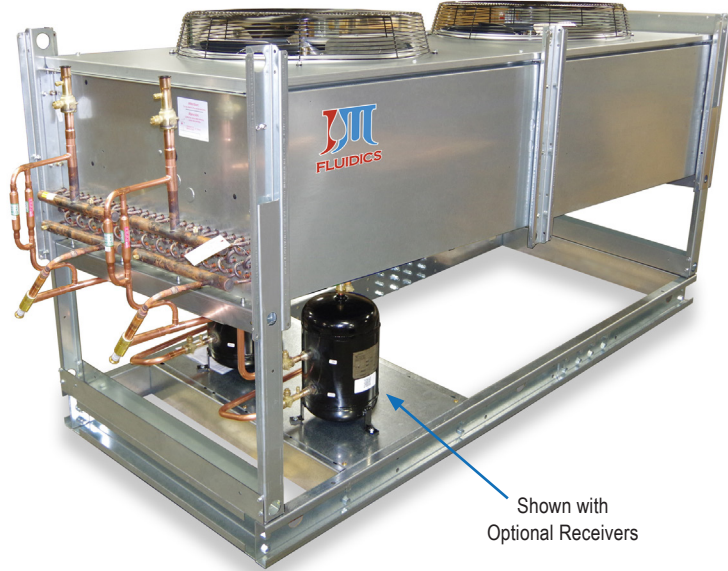
It's All about Building a Better Product for Our Clients!

J&M Fluidics, Inc.
 851 Tech Drive
 Telford, PA 18969
Toll-Free: (888) 539-1731
Fax: 267-203-8786

Model: OC26D

Split-System Outdoor Condensers

Dual Circuit



(2) 1 1/2 HP Fan Motors

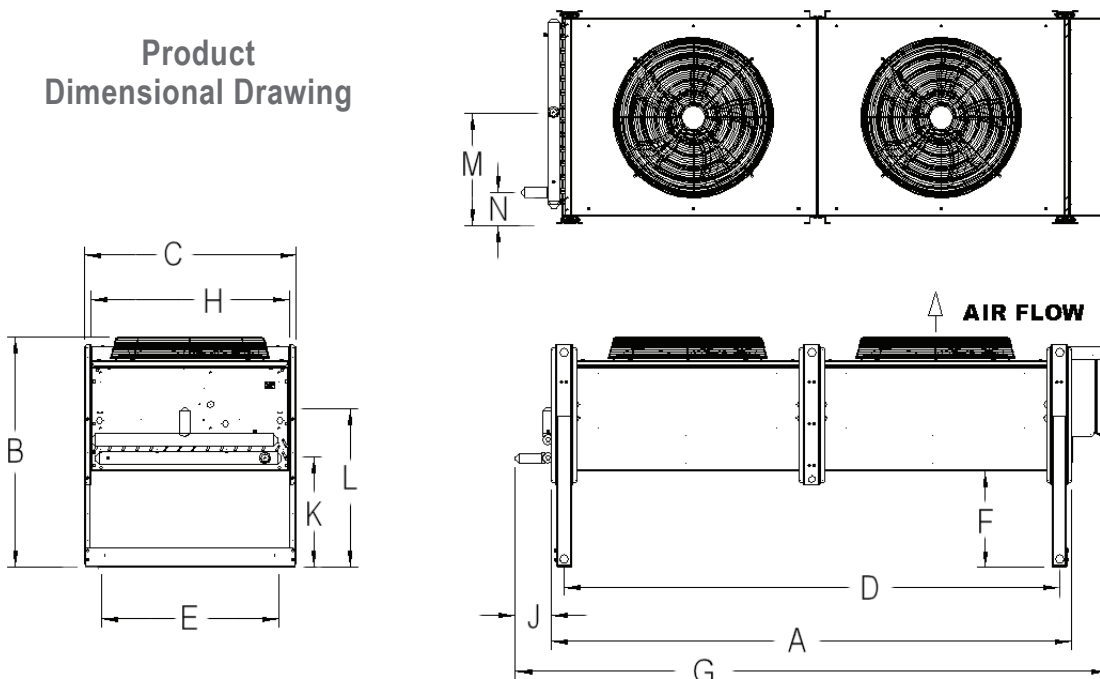
Shown with Optional Receivers



Outdoor Condenser Specs

Condenser Model	Length Inches	Width Inches	Height Inches	Fan Motor		Refrigerant Connections		Weight / lbs.
				Qty.	HP	Discharge	Liquid	
OC26D	127	46	49	2	1 1/2	1 1/8" (2)	5/8" (2)	680

Product Dimensional Drawing



J&M FLUIDICS, INC. – PRODUCT DATA SHEET



It's All about Building a Better Product for Our Clients!

J&M Fluidics, Inc.
 851 Tech Drive
 Telford, PA 18969
Toll-Free: (888) 539-1731
Fax: 267-203-8786

Model: OC35D, 43D, 52D

Split-System Outdoor Condensers

Dual Circuit



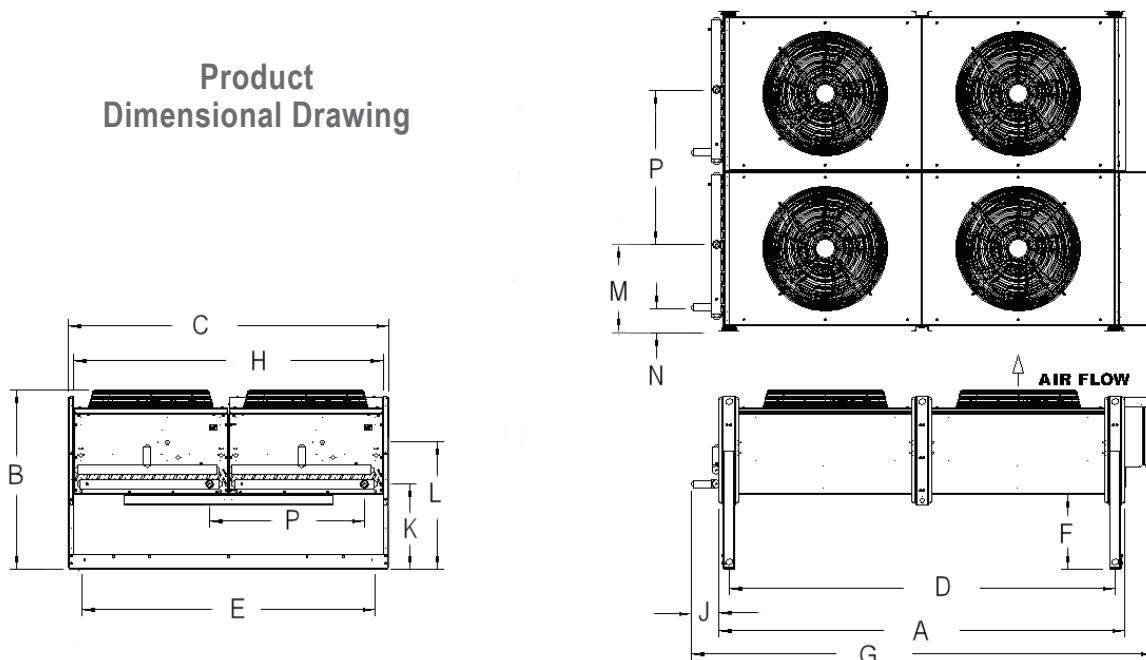
(4) 1 1/2 HP Fan Motors



Outdoor Condenser Specs

Condenser Model	Length Inches	Width Inches	Height Inches	Fan Motor		Refrigerant Connections		Weight / lbs.
				Qty.	HP	Discharge	Liquid	
OC35D	127	88	49	4	1 1/2	1 3/8" (2)	7/8" (2)	1240
OC43D	127	88	49	4	1 1/2	1 3/8" (2)	7/8" (2)	1340
OC52D	127	88	49	4	1 1/2	1 5/8" (2)	1 1/8" (2)	1440

Product Dimensional Drawing



J&M FLUIDICS, INC. – PRODUCT DATA SHEET



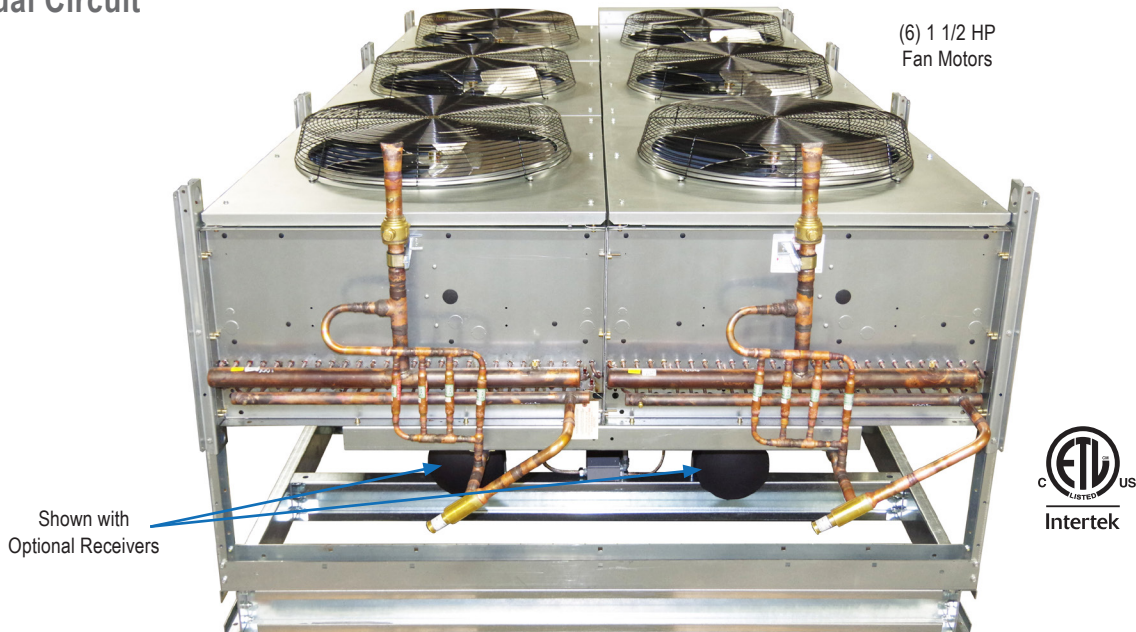
It's All about Building a Better Product for Our Clients!

J&M Fluidics, Inc.
 851 Tech Drive
 Telford, PA 18969
Toll-Free: (888) 539-1731
Fax: 267-203-8786

Model: OC62D

Split-System Outdoor Condensers

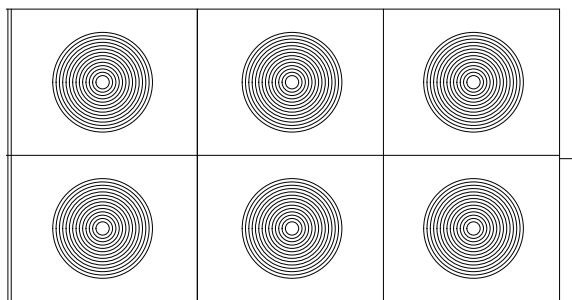
Dual Circuit



Outdoor Condenser Specs

Condenser Model	Length Inches	Width Inches	Height Inches	Fan Motor		Refrigerant Connections		Weight / lbs.
				Qty.	HP	Discharge	Liquid	
OC62D	180	88	49	6	1 1/2	1 5/8" (2)	1 1/8" (2)	1990

Product Dimensional Drawing



TOP VIEW

J&M FLUIDICS, INC. – PRODUCT DATA SHEET