

It's All about Building a Better Product for Our Clients!

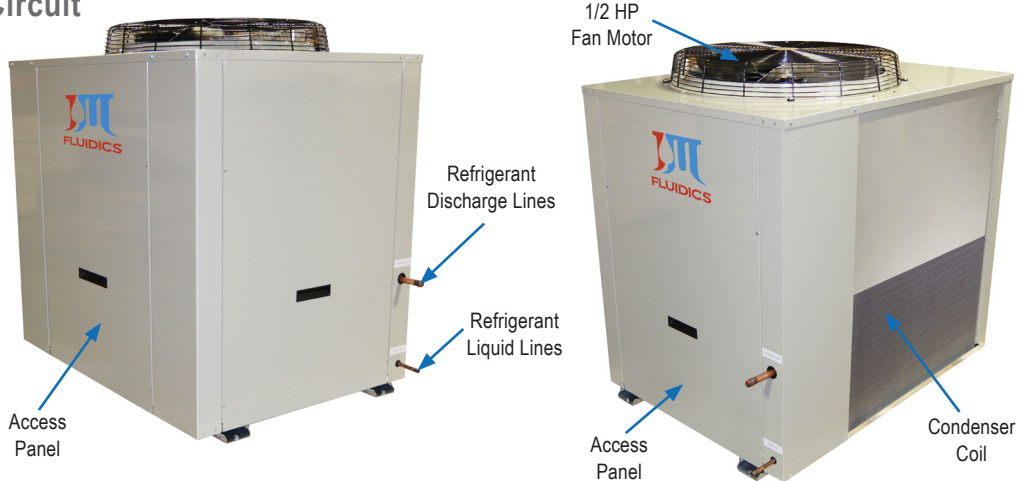
J&M Fluidics, Inc.
 851 Tech Drive
 Telford, PA 18969
Toll-Free: (888) 539-1731
Fax: 267-203-8786

J&M FLUIDICS, INC. – PRODUCT DATA SHEET

Model: OC1S, 1.5S

Split-System Outdoor Condensers

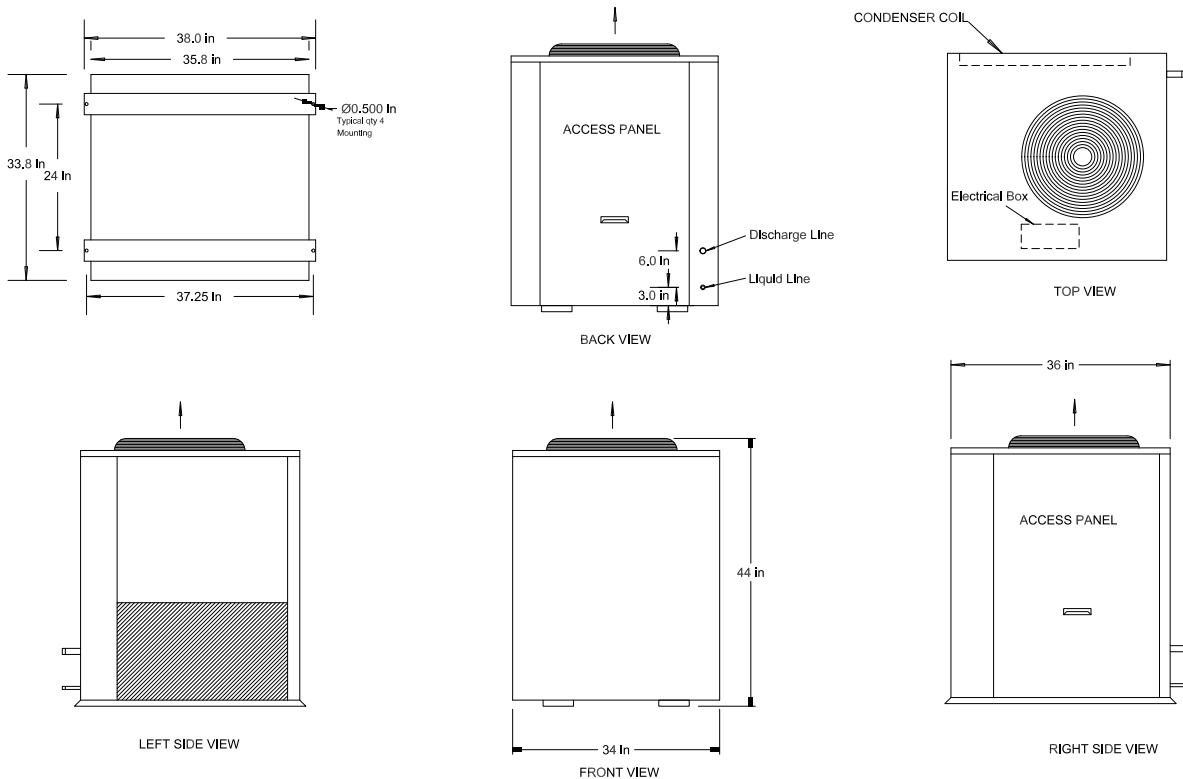
Single Circuit



Outdoor Condenser Specs

Condenser Model	Length Inches	Width Inches	Height Inches	Fan Motor		Refrigerant Connections		Weight / lbs.
				Qty.	HP	Discharge	Liquid	
OC1S	36	34	44	1	1/2	1/2"	3/8"	125
OC1.5S	36	34	44	1	1/2	1/2"	3/8"	135

Product Dimensional Drawing





It's All about Building a Better Product for Our Clients!

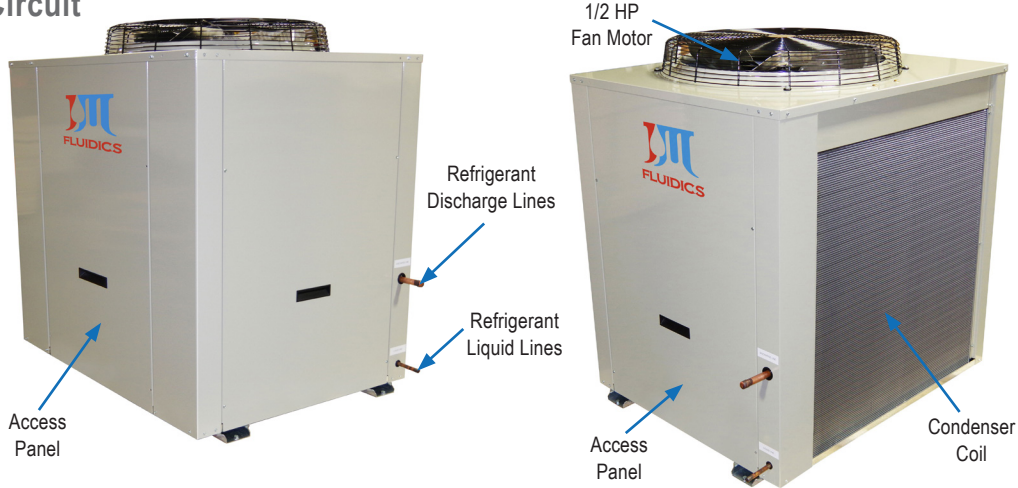
J&M Fluidics, Inc.
 851 Tech Drive
 Telford, PA 18969
Toll-Free: (888) 539-1731
Fax: 267-203-8786

J&M FLUIDICS, INC. – PRODUCT DATA SHEET

Model: OC2S, 2.5S

Split-System Outdoor Condensers

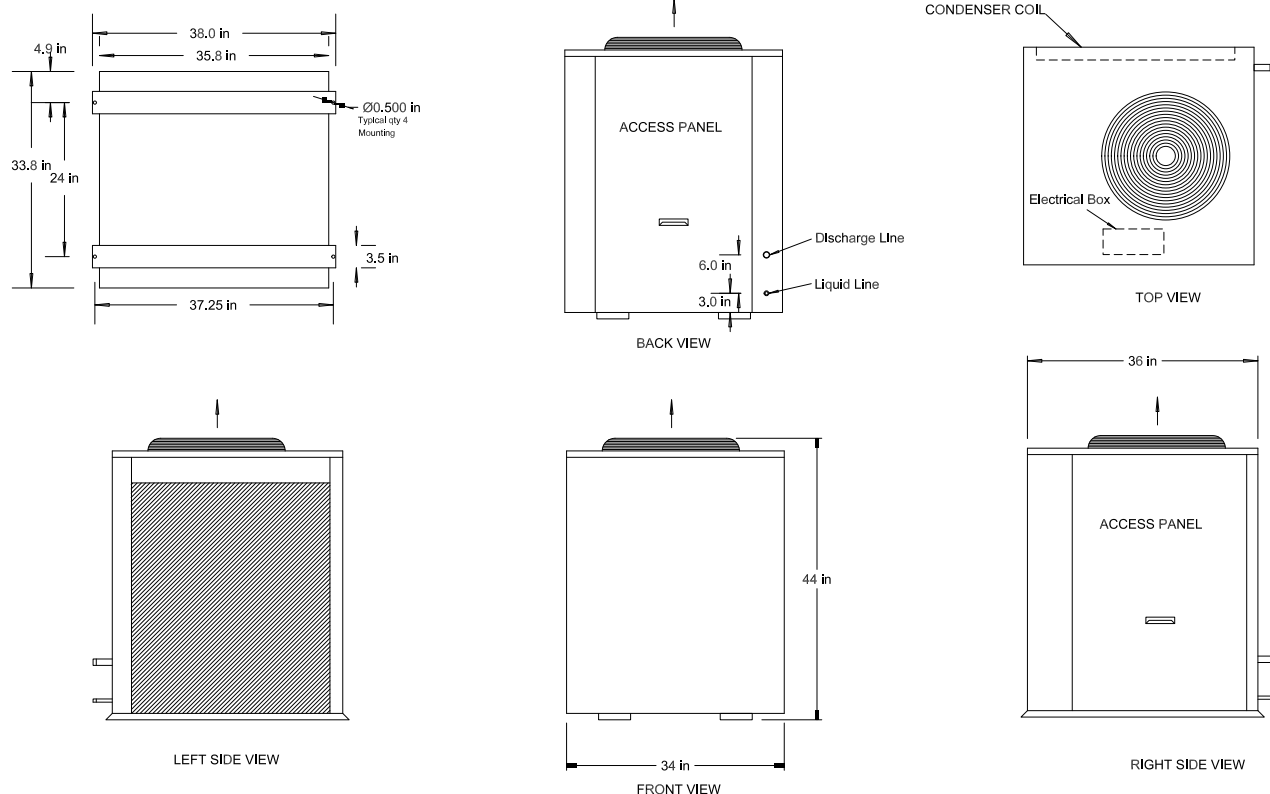
Single Circuit



Outdoor Condenser Specs

Condenser Model	Length Inches	Width Inches	Height Inches	Fan Motor		Refrigerant Connections		Weight / lbs.
				Qty.	HP	Discharge	Liquid	
OC2S	36	34	44	1	1/2	1/2"	3/8"	145
OC2.5S	36	34	44	1	1/2	1/2"	3/8"	200

Product Dimensional Drawing





It's All about Building a Better Product for Our Clients!

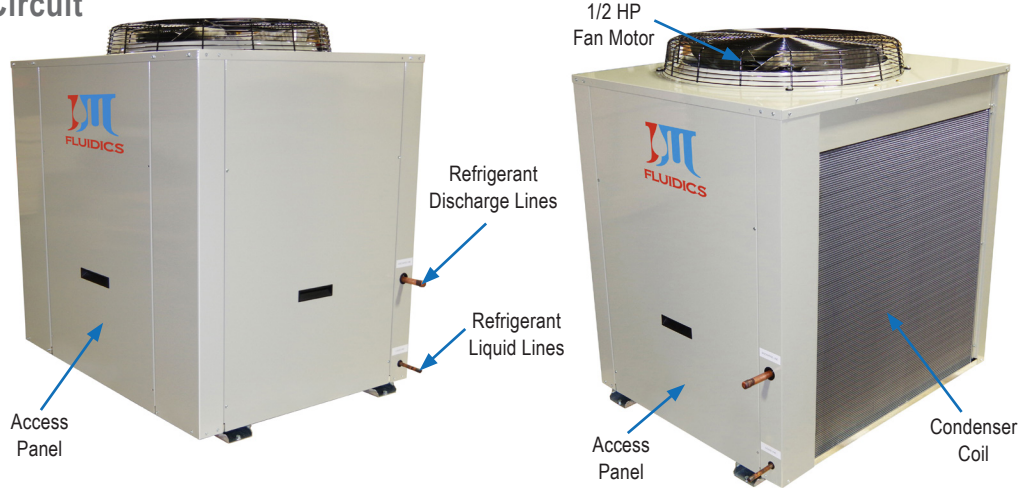
J&M Fluidics, Inc.
 851 Tech Drive
 Telford, PA 18969
Toll-Free: (888) 539-1731
Fax: 267-203-8786

J&M FLUIDICS, INC. – PRODUCT DATA SHEET

Model: OC3S

Split-System Outdoor Condensers

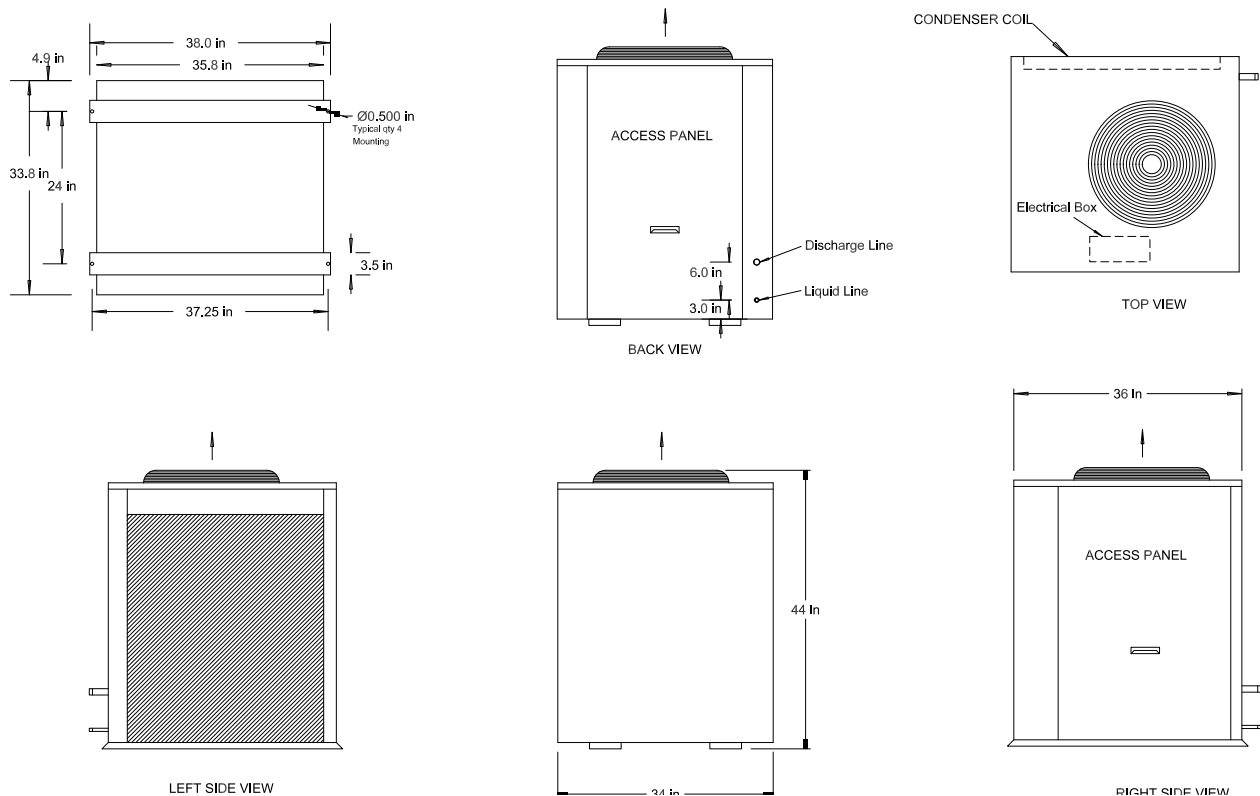
Single Circuit



Outdoor Condenser Specs

Condenser Model	Length Inches	Width Inches	Height Inches	Fan Motor		Refrigerant Connections		Weight / lbs.
				Qty.	HP	Discharge	Liquid	
OC3S	36	34	44	1	1/2	5/8"	1/2"	205

Product Dimensional Drawing





It's All about Building a Better Product for Our Clients!

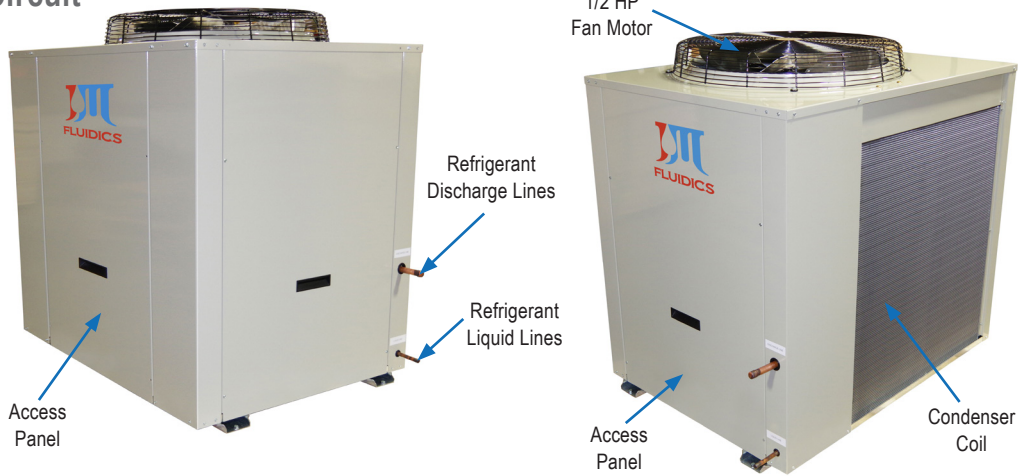
J&M Fluidics, Inc.
 851 Tech Drive
 Telford, PA 18969
Toll-Free: (888) 539-1731
Fax: 267-203-8786

J&M FLUIDICS, INC. – PRODUCT DATA SHEET

Model: OC4S, 4.5S, 5S

Split-System Outdoor Condensers

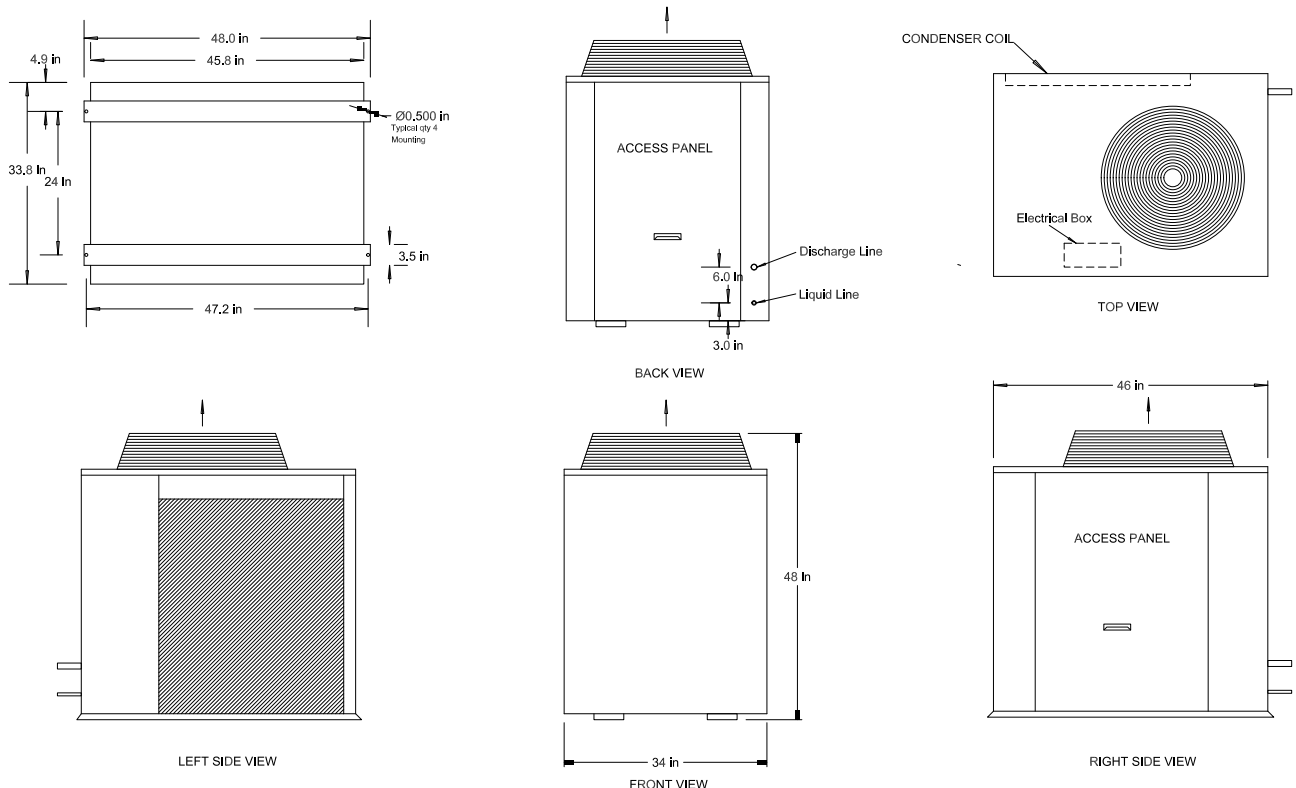
Single Circuit



Outdoor Condenser Specs

Condenser Model	Length Inches	Width Inches	Height Inches	Fan Motor		Refrigerant Connections		Weight / lbs.
				Qty.	HP	Discharge	Liquid	
OC4S	46	34	48	1	1/2	3/4"	1/2"	225
OC4.5S	46	34	48	1	1/2	3/4"	1/2"	235
OC5S	46	34	48	1	1/2	3/4"	1/2"	235

Product Dimensional Drawing





It's All about Building a Better Product for Our Clients!

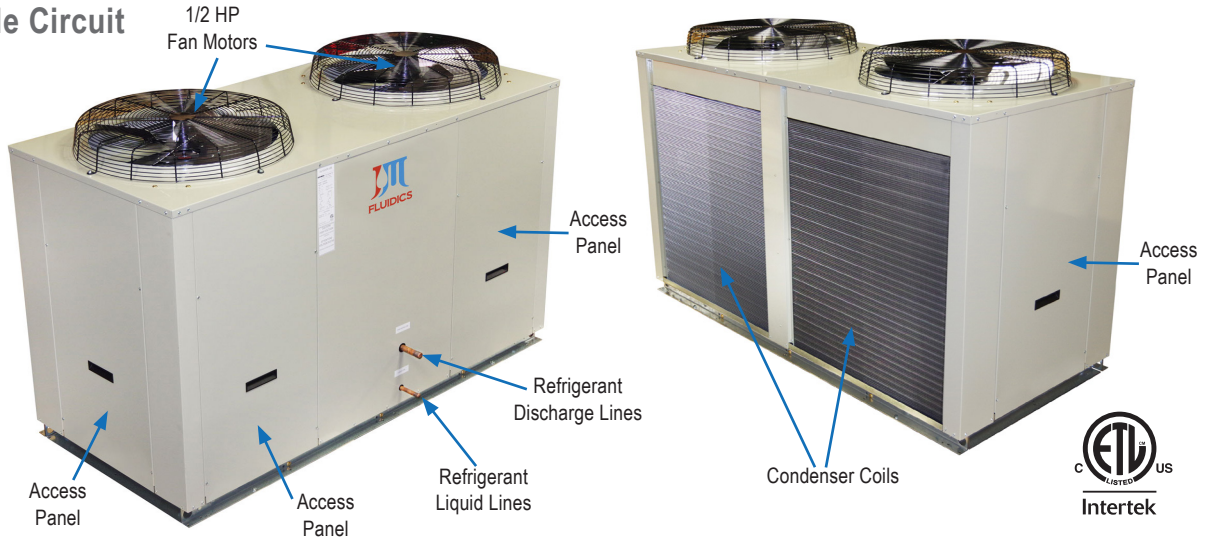
J&M Fluidics, Inc.
 851 Tech Drive
 Telford, PA 18969
 Toll-Free: (888) 539-1731
 Fax: 267-203-8786

J&M FLUIDICS, INC. – PRODUCT DATA SHEET

Model: OC7S, 8S, 9S, 11S

Split-System Outdoor Condensers

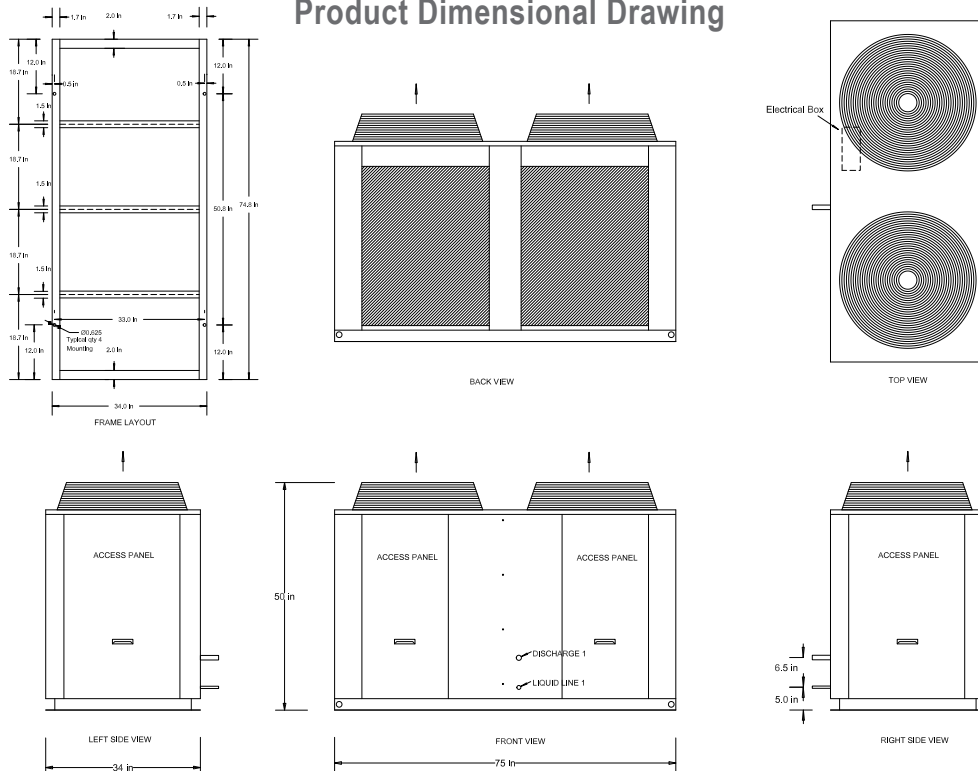
Single Circuit



Outdoor Condenser Specs

Condenser Model	Length Inches	Width Inches	Height Inches	Fan Motor		Refrigerant Connections		Weight / lbs.
				Qty.	HP	Discharge	Liquid	
OC7S	75	34	47	2	1/2	7/8"	1/2"	355
OC8S	75	34	47	2	1/2	7/8"	5/8"	355
OC9S	75	34	47	2	1/2	7/8"	5/8"	355
OC11S	75	34	47	2	1/2	1 1/8"	5/8"	400

Product Dimensional Drawing



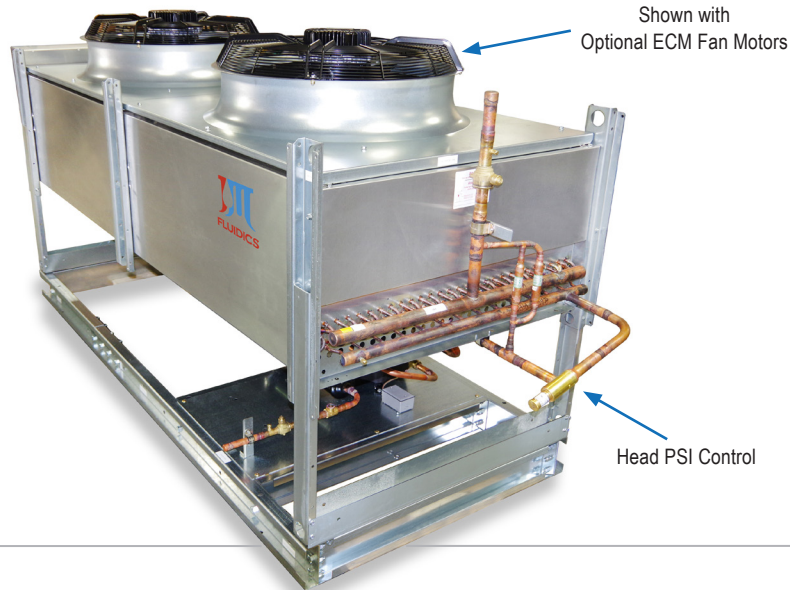


It's All about Building a Better Product for Our Clients!

J&M Fluidics, Inc.
 851 Tech Drive
 Telford, PA 18969
Toll-Free: (888) 539-1731
Fax: 267-203-8786

**Model: OC30S,
 Single Circuit**

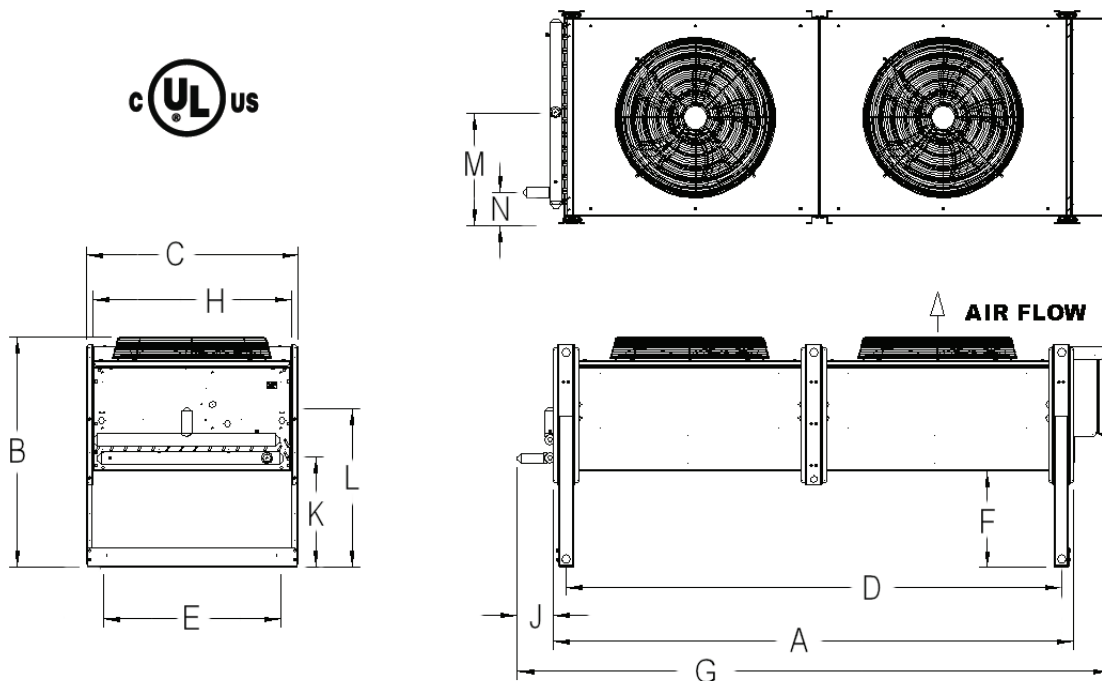
Split-System Outdoor Condensers



Outdoor Condenser Specs

Condenser Model	Length Inches	Width Inches	Height Inches	Fan Motor		Refrigerant Connections		Weight / lbs.
				Qty.	HP	Discharge	Liquid	
OC30S	127	46	49	2	1 1/2	1 1/8" (1)	5/8" (1)	640

Product Dimensional Drawing



J&M FLUIDICS, INC. – PRODUCT DATA SHEET